



PROLAG **Hazmat**

The highest standards in hazardous
materials storage

PROLAG Hazmat

The highest standards in hazardous materials storage

Mit **PROLAG Hazmat** is CIM's software solution for storing hazardous materials in line with all relevant regulations, and for optimally preparing hazardous goods for transport. Thanks to its hazardous materials management functionality, **PROLAG Hazmat** can monitor all hazardous materials and ensure that they are stored in compliance with the highest standards.

The system meets all requirements pertaining to the transport of hazardous goods for all transport routes and issues internationally applicable transport documents. **PROLAG Hazmat** also offers useful features such as packing area logic optimised for hazardous materials, access management including rights administration, and informative hazard pictograms in the UI for highlighting the relevant hazardous materials during the picking and transport processes.



”

Once upon a time, in a faraway intralogistics world ...

“Oh yes, hazardous materials, no problem,” an employee hears her boss saying on the phone. “We can do that. Do we comply with the standards?”

Do we comply with the standards?”

The boss seems to think about this for a minute.

Then he goes on: “Sure, we comply with all of them. Just send us your stock and we’ll see to the rest. You’re in safe hands with us.” The boss puts down the phone and looks expectantly at his employee.

“What do you think, is there still enough space in aisle 1 for a few chemical cleaning agents?”

She shrugs and thinks about it for a moment.

“Puh, maybe down the back beside the household goods. But are they not flammable? I mean because of fire safety. The sprinkler system’s broken...”

The sprinkler system’s broken...”

“Ah, we’ll just leave a bit of space in between,” says the boss confidently and waves it off.

“That’s in full compliance with safety standards.

I know them all off by heart,” he insists when he sees the sceptical look on his employee’s face.

But secretly he’s not quite sure either. Maybe there’s a software program that could help him with hazardous materials?

“

PROLAG Hazmat

- Hazardous material strategies for optimal putaway, coordination and handling
- Comprehensive hazardous materials management in your intralogistics, for instance using safety data sheets
- Hazardous goods documentation in compliance with international regulations for transport by air, rail, road or sea (IATA, RID, ADR and IMDG)
- Centrally controlled access management and qualified personnel for secure handling
- Quantity thresholds for hazardous goods by storage area (1000 points rule and limited quantities)
- Intuitive hazard pictograms in the UI for easy access, hazard statements and precautionary statements displayed in mobile processes
- Packing area logic for outer packagings, optimised for hazardous goods
- Hazardous materials management in article sets
- Hazardous goods lists
- Fire department list

Keeping an
eye on your
hazardous
materials for
safe storage

PROLAG Hazmat – going the extra mile with hazardous materials management

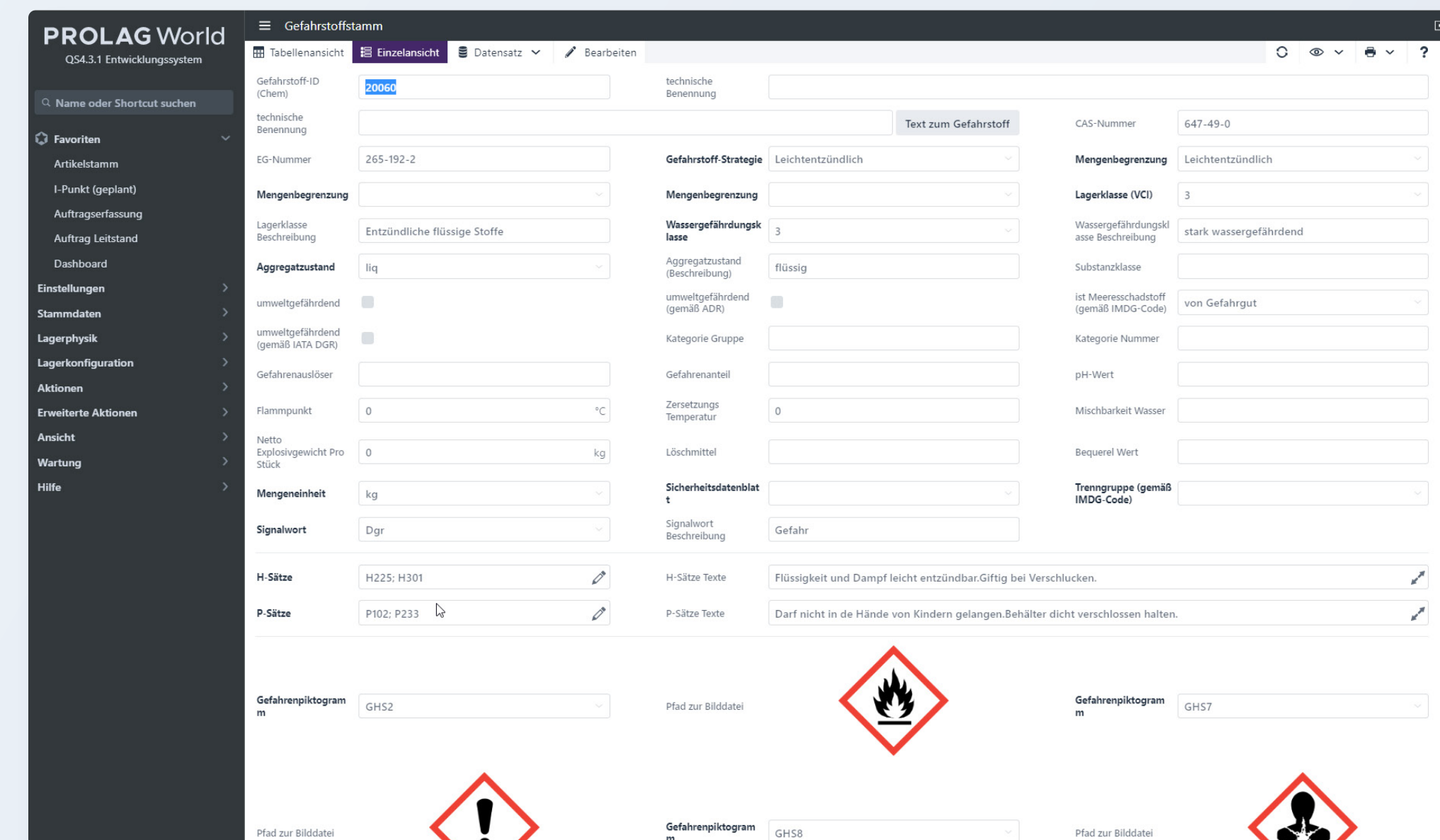
Hazardous goods and materials are often present in the most unremarkable everyday objects – cleaning items, electronics, chemical substances and household goods, for example. Storing and transporting these substances requires professional handling in compliance with all legal requirements.

PROLAG Hazmat is CIM's software solution for storing hazardous goods and materials in line with all relevant regulations, and for optimally preparing the goods for transport. CIM's hazardous materials management includes valuable instruments for storing your hazardous materials safely and in line with the very latest standards. The hazardous materials are mapped by class (such as VCI and water pollution) and allocated groupings. Detailed data can be specified on the hazardous goods class, state of matter (solid, liquid, gas), flash point and so on, which is relevant for handling (hazard and precautionary statements for instance) and transport. Safety data sheets, a hazardous materials directory and statements for the fire department list can be maintained in multiple languages.

PROLAG Hazmat is fully integrated into our warehouse management solution and brings significant benefits for your intralogistics.

CIM's functionality for managing hazardous substances can be used to monitor quantities in specific storage areas to ensure compliance with the relevant legislation, and also to manage bill of material elements for article sets consist-

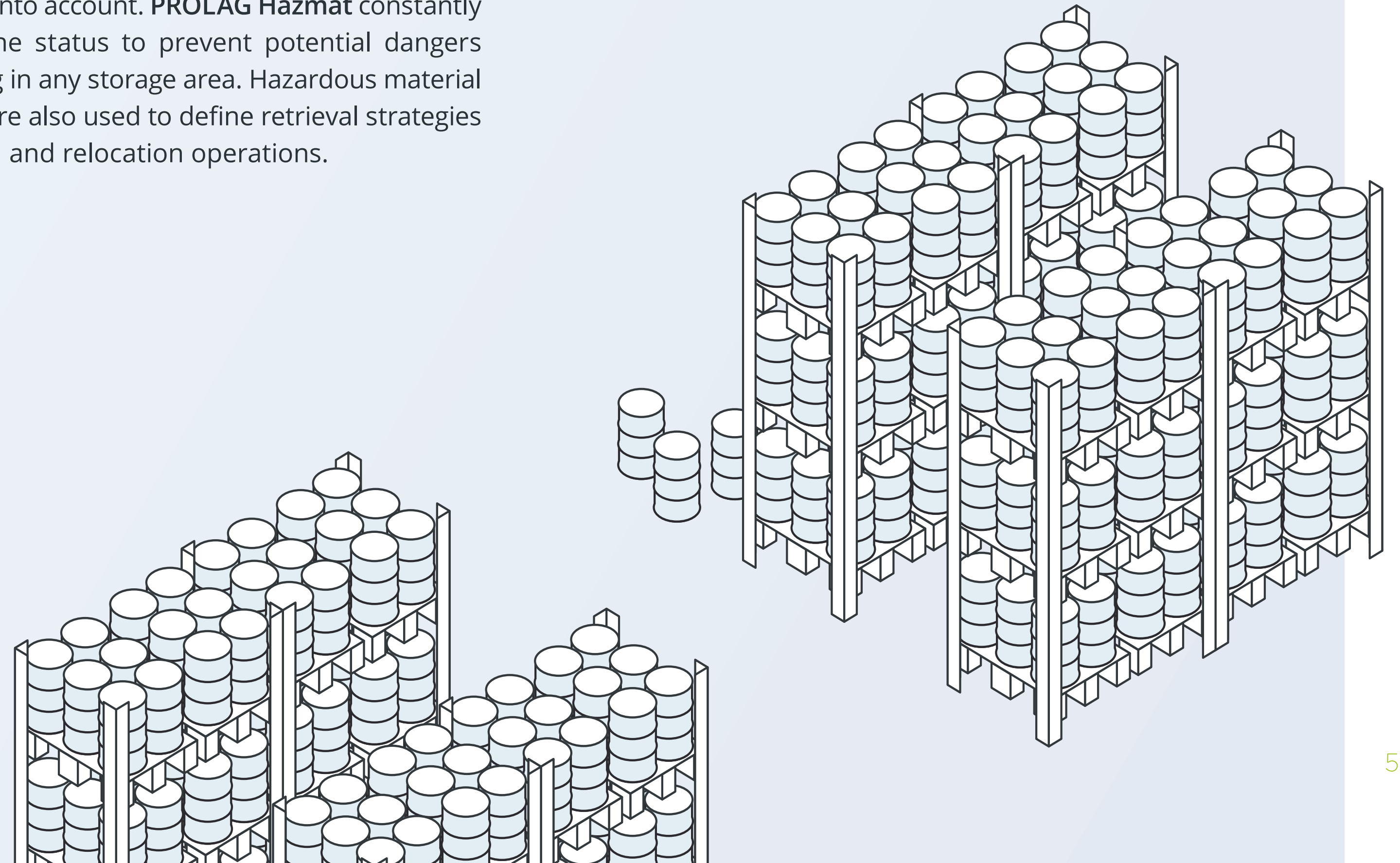
ing only partially of hazardous materials, as these are often overlooked. Automatically transferring this information to the hazardous material list significantly exceeds the legal requirements regarding fire safety in intralogistics.



Risk minimisation thanks to hazardous material strategies and thresholds

Handling and storage of hazardous materials, such as chemical substances or mixtures, medicines and cosmetic products, is subject to certain legal requirements and obligations. **PROLAG Hazmat** uses hazardous material strategies so that any harmful substances you handle can be dealt with easily and efficiently as soon as they enter your warehouse. The system uses putaway strategies to automatically

determine the best and safest storage location for each hazardous material item, taking storage compatibility guidelines and weight and volume thresholds into account. **PROLAG Hazmat** constantly monitors the status to prevent potential dangers from arising in any storage area. Hazardous material strategies are also used to define retrieval strategies for retrieval and relocation operations.



Documentation supported by the system

Creating the appropriate documentation is essential when handling hazardous goods and materials in intralogistics. This is due to the complexity of hazardous materials storage and the high requirements that need to be fulfilled.

PROLAG Hazmat and **PROLAG WMS** work in tandem to fulfil logistics requirements in terms of efficient warehousing with optimal use of space and resources. The software also supports environmental and safety regulations by creating the appropriate documentation and printing the correct labels, thereby ensuring strict compliance with statutory and corporate requirements.

The screenshot displays the PROLAG World software interface. On the left is a navigation menu with options like 'Einstellungen', 'Stammdaten', 'Lagerphysik', 'Lagerkonfiguration', 'Aktionen', 'Erweiterte Aktionen', 'Ansicht', 'Wartung', and 'Hilfe'. The main area shows a table of hazardous materials with columns for 'Gefahrgut-ID', 'Benennung für die Beförderung', 'UN-Nummer', 'Trennung (IMDG-Code)', 'Feuerwerkskörperhinweis', 'Unfallmerblätter (EmS)', and 'Meeresschadstoff'. Below the table is a detailed form for editing a specific entry (ID 126800). The form includes fields for 'Gefahrgut-ID', 'Benennung für die Beförderung', 'UN-Nummer', 'Trennung (IMDG-Code)', 'Feuerwerkskörperhinweis', 'Unfallmerblätter (EmS)', 'Klassifizierungscode', 'Gefahrgutklasse (ADR)', 'Gefahrgutklasse (ADR) Beschreibung', 'Gefahrgutklasse (IMDG-Code)', 'Gefahrgutklasse (IMDG) Beschreibung', 'Gefahrgutklasse (ATA DGR)', 'Gefahrgutklasse (ATA DGR) Beschreibung', and 'Verpackungsgruppe'.

Gefahrgut-ID	Benennung für die Beförderung	UN-Nummer	Trennung (IMDG-Code)	Feuerwerkskörperhinweis	Unfallmerblätter (EmS)	Meeresschadstoff
126800	ERDÖLDESTILLATE, N.A.G. o...	1268				
190300	KEROSENE	1903				
197800	KEROSENE	1978				
203100	Salpetersäure	2031				
225400	KEROSENE	2254				

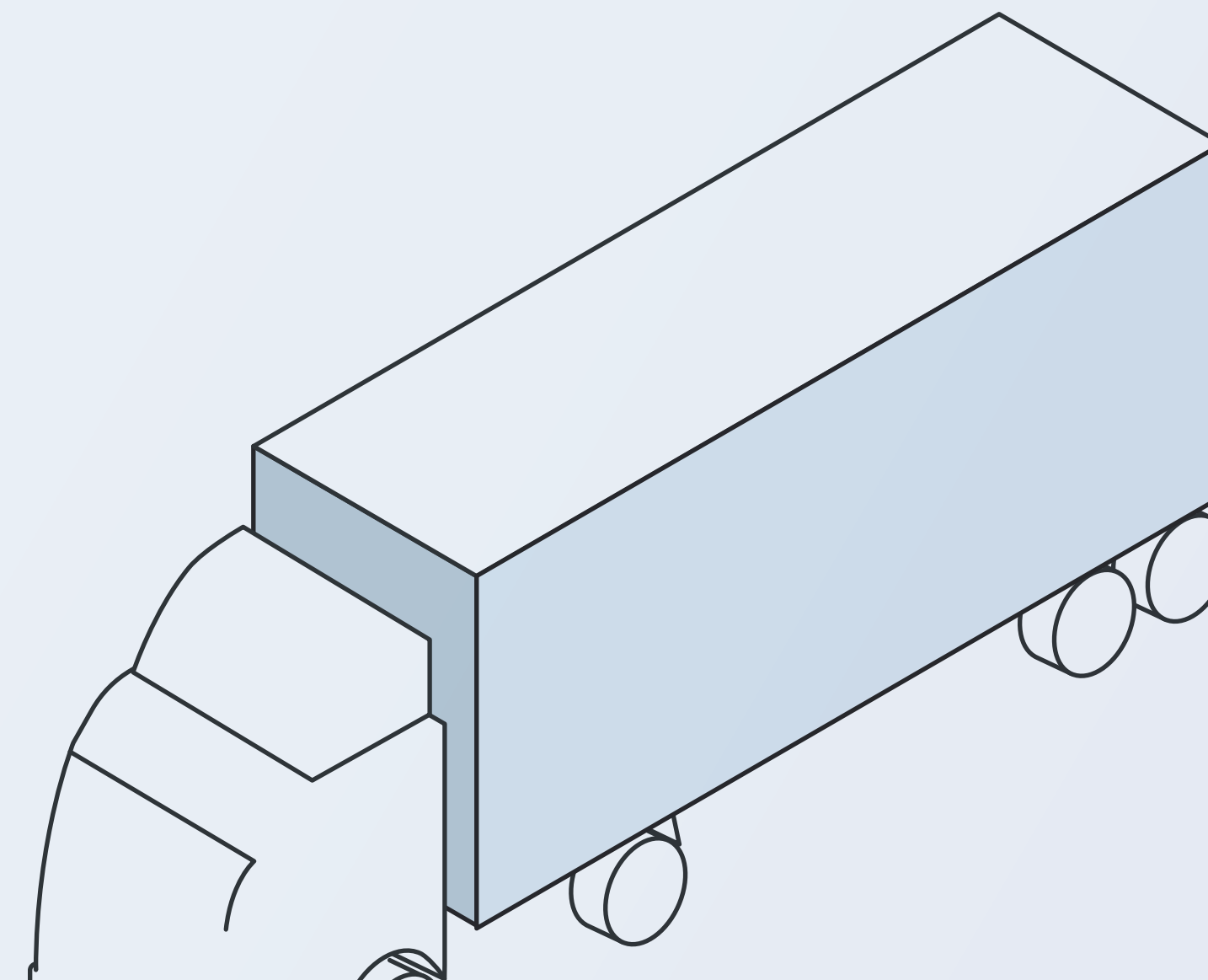
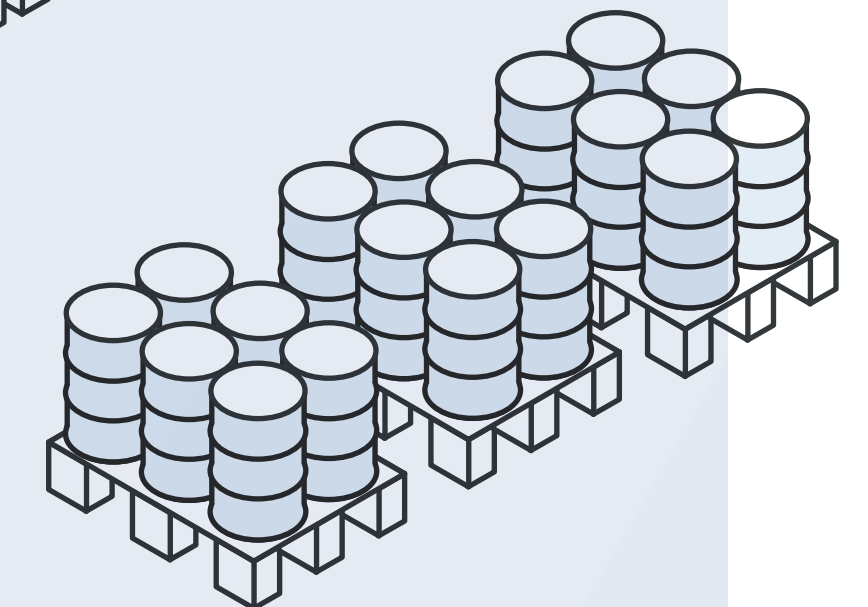
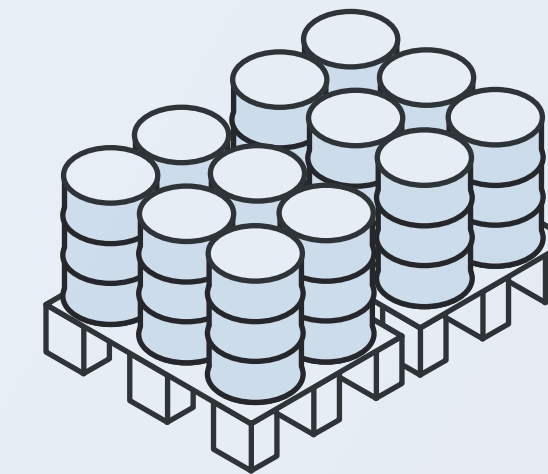
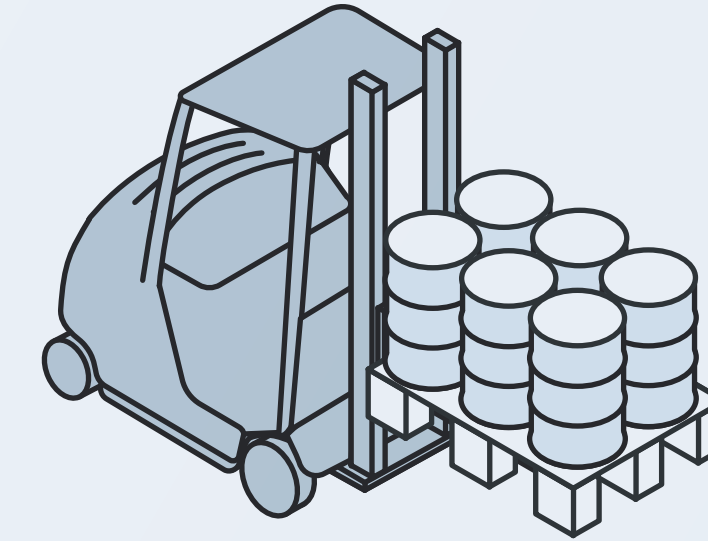
Example of documentation for hazardous materials in the warehouse.

Safe transport in and outside the warehouse

Once hazardous materials have been retrieved from their storage locations, they are referred to as hazardous goods. Hazardous goods are by definition goods which are potentially harmful to humans, animals or the environment if not transported properly and with care. Transport of hazardous goods is a critical process requiring careful preparation both within the intralogistics environment and beyond.

PROLAG Hazmat guides you through the steps you need to take in order to prepare your hazardous goods for safe transport. This includes attaching appropriate safety signage to transport units or

checking quantity restrictions based on the transport vehicle and transport type. In addition, **PROLAG Hazmat** features optimised packing area logic so that global commerce requirements can be met. **PROLAG Hazmat** fulfils all international standards governing the maritime transport of dangerous goods in packaged form. Transport documents are automatically fully compliant with regulations for transporting hazardous goods by air, rail, road or sea (IATA, RID, ADR and IMDG). What's more, the solution makes the packing process for hazardous goods much more efficient, which considerably simplifies and accelerates goods issue.



References



... and more

www.cim-logistics.com

CIM GmbH

Livry-Gargan-Straße 10
82256 Fürstenfeldbruck

☎ +49 8141 5102-0
@ info@cim.de

CIM GmbH

Münster Office
Wolbecker Windmühle 67
48167 Münster

☎ +49 2506 30615-0
@ info@cim.de

CIM GmbH

The Netherlands Office
Prinses Margrietplantsoen 33
2595 AM Den Haag

☎ +31 (0) 70 450 002-0
@ info@cim-logistics.nl



FOLLOW US

